

A large photograph of a backyard patio at dusk. A wooden pergola with string lights covers the area. In the center is a fire pit with a fire. There are several patio chairs and a sofa. In the background, a house with large windows is visible. On the right side, there are some papers or blueprints with diagrams and text, including the heading 'Solid Brackets for Rafter Lighting'.

Build Your Dream *Backyard* One Project at a Time



50-55" Outdoor TV Cabinet - Pop Up Door

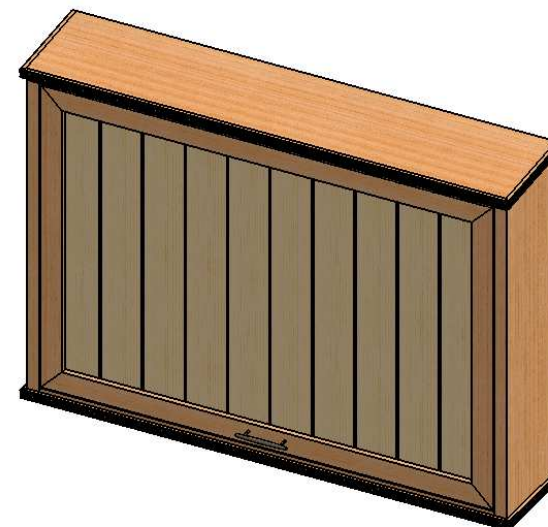
ITEM NO.	PART NUMBER	DESCRIPTION	QTY.
1	Enclosure Base	2 x 12 Lumber x 53-1/2" Long	1
2	Enclosure Top	2 x 12 Lumber x 56-1/2" Long	1
3	Enclosure Side	2 x 12 Lumber x 39-1/2" Long	2
4	Enclosure Back 01	2 x 6 Lumber x 53-1/2" Long	7
5	Door Bottom Board	1 x 3 Lumber x 53-1/4" Long	2
6	Door Side Board	1 x 3 Lumber x 36-3/4" Long	2
7	Door Inside Panel	1 x 6 Tongue and Groove Board x 35-7/8" Long	10
8	Front Trim	1/2" x 1" Decorative Trim x 57-1/2" Long	2
9	Side Trim	1/2" x 1" Decorative Trim x 11-3/4" Long	4
10	Cabinet Handle 01	Cabinet Pull	1
12	42" Piano Hinge	Cabinet Hinge	1
14	Stay Support	1 x 3 Lumber x 52-3/4" Long	1

Raw Materials Needed

2 x 12 x 10 ft Long	- 1 pc
2 x 12 x 8 ft Long	- 1 pc
2 x 6 x 10 ft Long	- 4 pcs
1 x 3 x 8ft Long	- 3 pcs
1 x 6 Tongue & Groove x 8ft Long	- 5 pcs
1/2 x 1 Decorative Trim x 8ft Long	- 2 pcs
#9 x 3" Exterior Screws	- 1 lb
#9 x 1-1/4" Exterior Screws	- 1 lb
#9 x 3/4" Exterior Screws	- 1/4 lb
1-1/4" Roofing Nails	- 1 lb
Cabinet Handle w/Hardware	- 1 pc
53" Piano Hinge w/Screws	- 1 pc
Sugatsune, Lamp L-270 Lid Stays	- 2 pcs
Asphalt Shingles	- 4 pcs

Step 1 - Cut Boards to Length

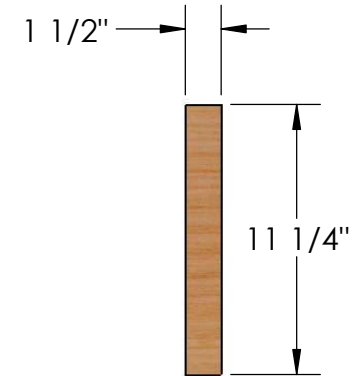
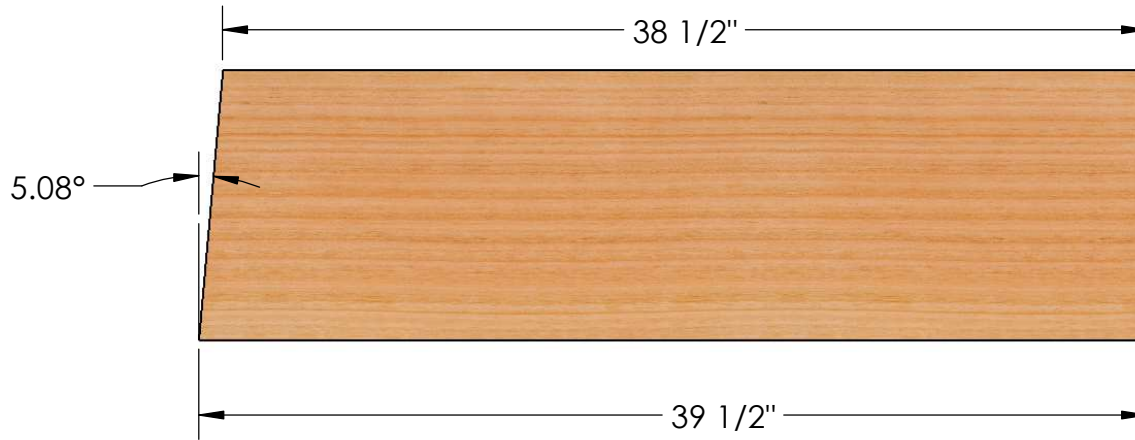
- Cut one pc 53-1/2" Long (Item #1) out of the 10' 2 x 12
- Cut one pc 56-1/2" Long (Item #2) out of one of the leftover 2 x 12
- Cut seven pcs 53-1/2" Long (Item #4) out of four of the 10' 2 x 6's
- See Page 2 for detailed instructions for cutting Items #3 & 5
- See Page 3 for detailed instructions for cutting Item #6, 8, & 9
- Using the five tongue and groove 1 x 6's cut ten pcs 35-7/8" Long (Item #7)
- Using one of the 8ft 1 x 3's, cut one pc 52-3/4" Long (Item #14)



Step 1 Cont. - Cut Boards

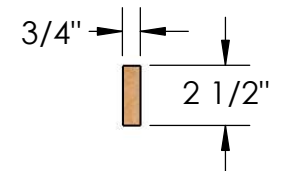
Item No. 3 Material: 2 x 12 Lumber x 39-1/2" Long
Qty.: 2

Using one of the 8ft 2 x 12's cut two pcs 39-1/2" long with a 5° angle as shown below.



Item No. 5 Material: 1 x 3 Lumber x 53-1/4" Long
Qty.: 2

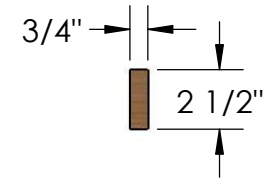
Using two of the 8ft 1 x 3's, cut two pcs 53-1/4" long with a 45° angle on each end as shown below.



Step 1 Cont. - Cut Boards

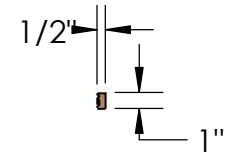
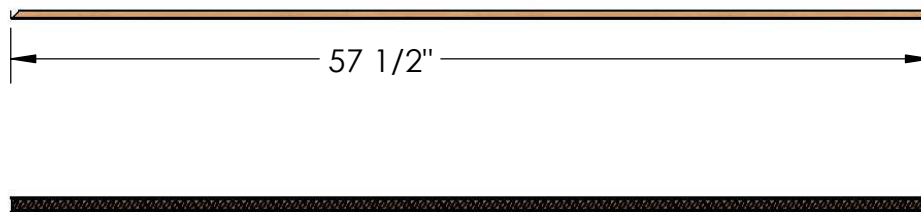
Item No. 6 Material: 1 x 3 Lumber x 36-3/4" Long
Qty.: 2

Using the 1 x 3's left over after cutting Item #5, cut two pcs 36-3/4" long with a 45° angle on each end as shown below.



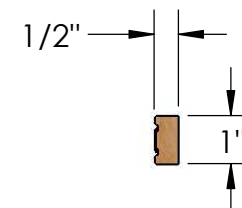
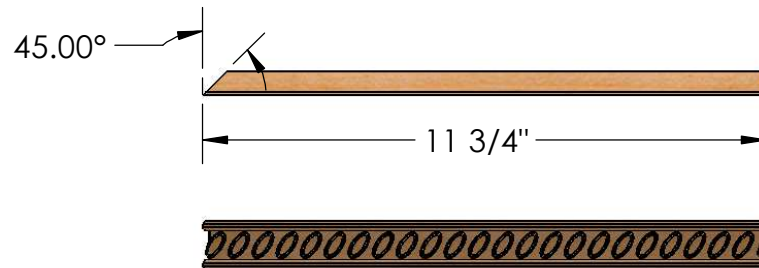
Item No. 8 Material: 1/2 x 1 Decorative Trim x 57-1/2" Long
Qty.: 2

Using two of the 8ft decorative trim boards, cut one pc 57-1/2" long with a 45° angle on each end as shown below out of each board.



Item No. 9 Material: 1/2 x 1 Decorative Trim x 11-3/4" Long
Qty.: 4

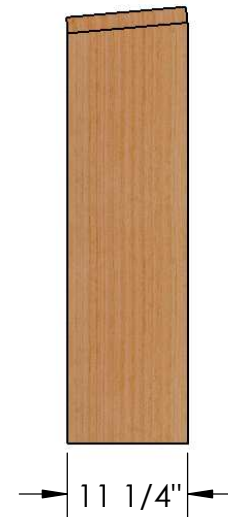
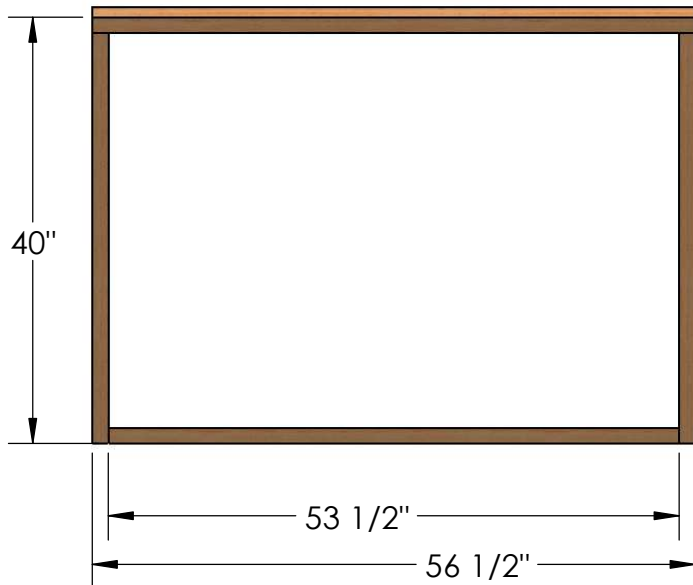
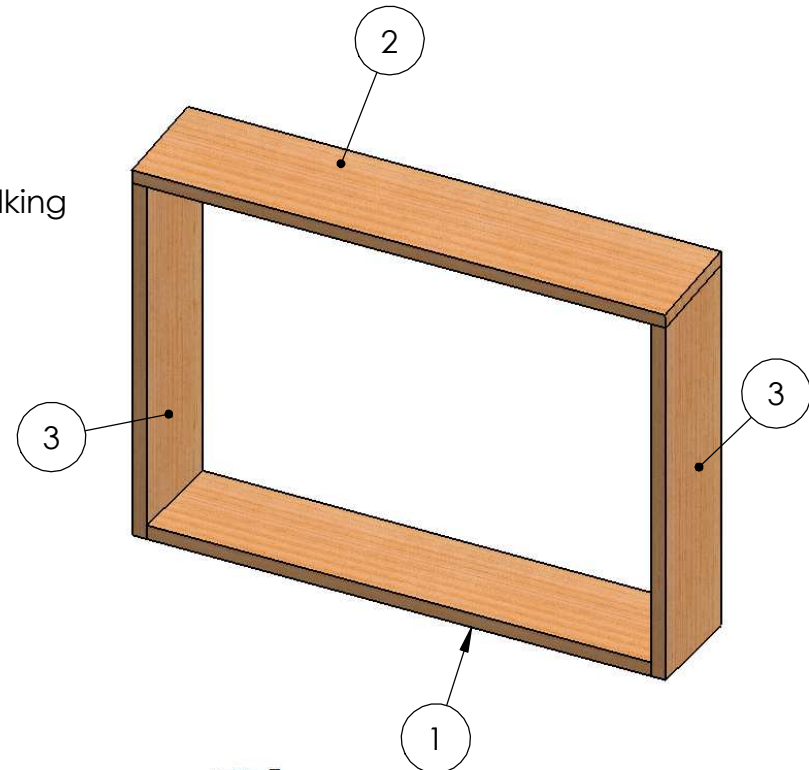
Using one of the 8ft trim boards, cut four pcs 11-3/4" long with a 45° angle on one end as shown below.



Step 2 - Assemble Enclosure Frame

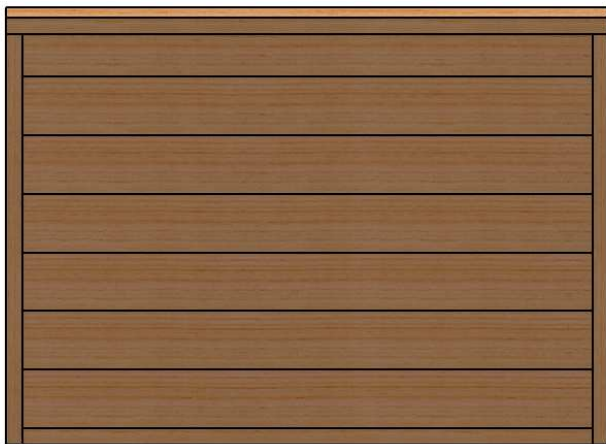
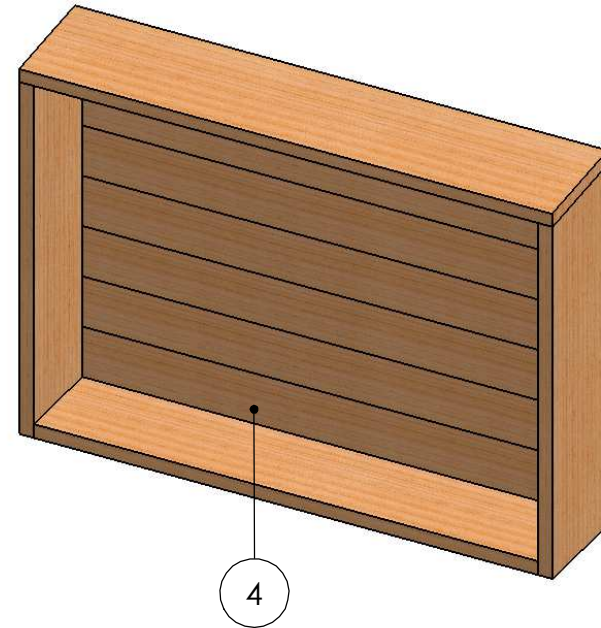
Lay out the 53-1/2" 2 x 12 (Item #1) and the two 39-1/2" 2 x 12's (Item #3) and the 56-1/2" 2 x 12 (Item #2) to form a box as shown below. Fasten together using wood glue and 3" wood screws as needed. Make sure that the box is square by measuring from corner to corner both ways, the measurement should be the same.

Tip: Calk inside and outside, all seams using exterior rating caulking



Install the seven 53-1/2" 2 x 6's (Item #4) into the back side of the opening as shown below. The boards should be flush with the back side of the frame. Secure the back boards into place using wood glue and 3" wood screws.

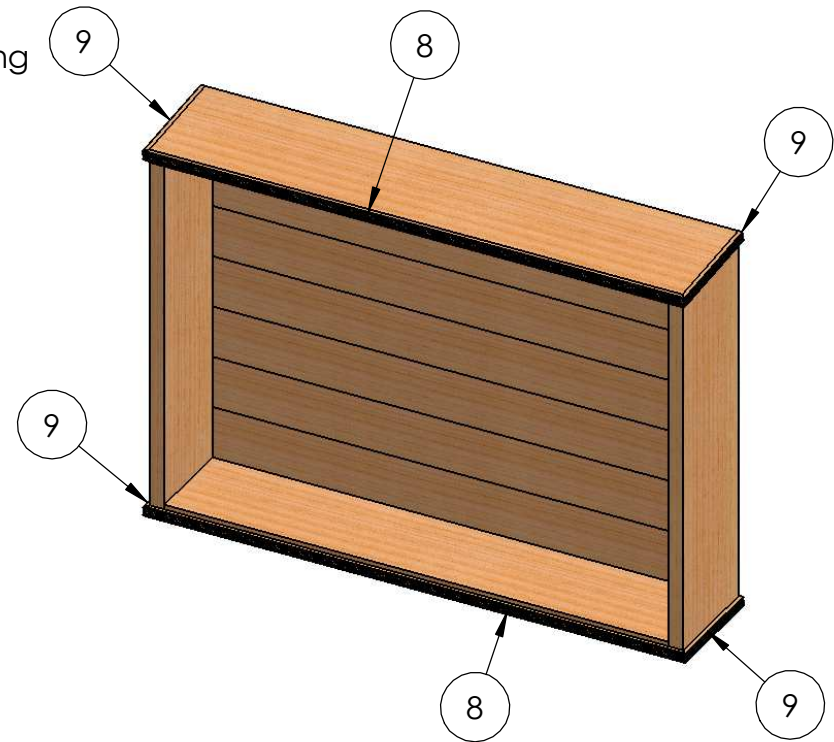
Tip: Calk inside and outside, all seams using exterior rating caulking



Step 2 cont. - Assemble Enclosure Frame

Install the front and side trim pcs (Items #8 & 9) around the top and bottom of the frame as shown below using wood glue and 2" finishing nails to secure the trim to the cabinet.

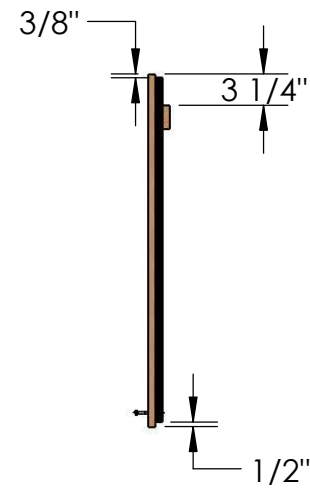
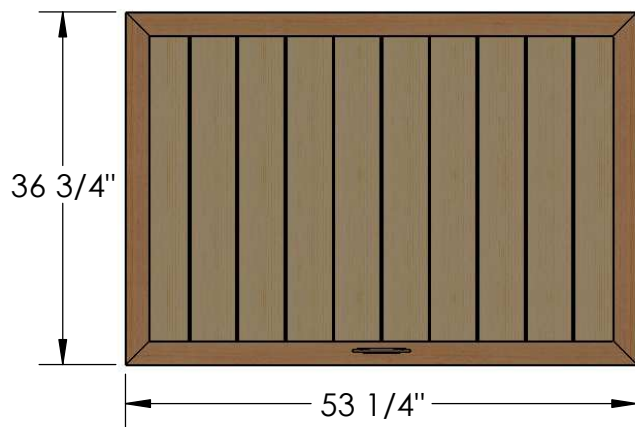
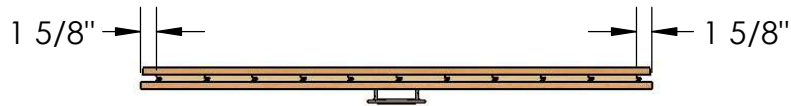
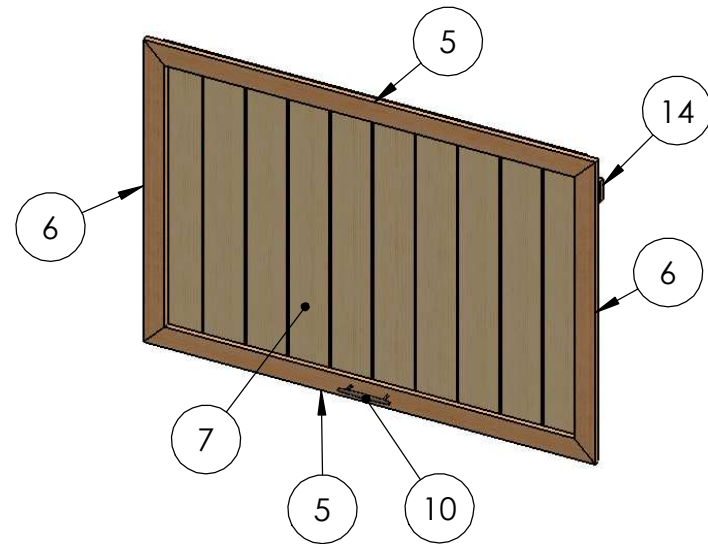
Tip: Calk inside and outside, all seams using exterior rating caulking



Step 3 - Assemble Enclosure Door

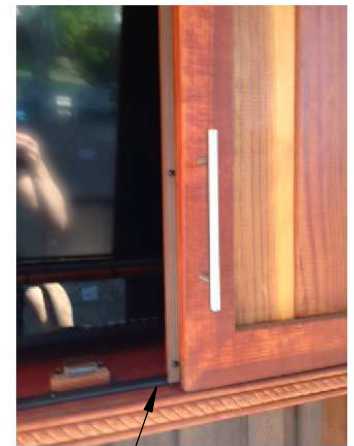
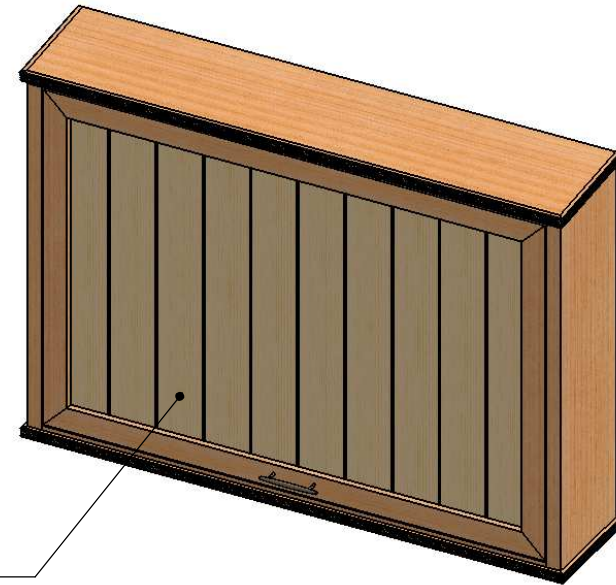
Assemble the Cabinet Door by laying out the frame boards (Items #5 & 6) into a square frame using wood glue at the corners and clamps to hold the frame together. Next lay out the tongue and groove boards on the back side of the door frame and fasten them to the frame using 1-1/4" wood screws. Trim the last board as necessary to fit. Screw the stay support board (Item #14) to the inside of the door as shown. Finally, install the handle in the desired location using the manufacturers instructions.

Tip: Calk inside and outside, all seams using exterior rating caulking



Step 4 - Install Enclosure Door

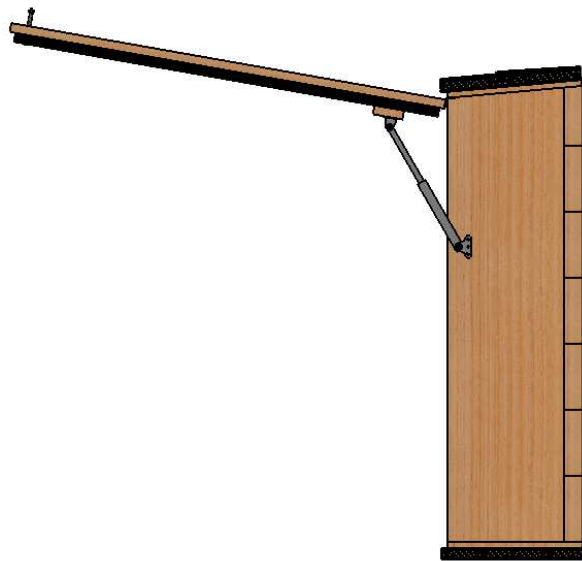
Install the cabinet door using the piano hinge (Item #12) on the top of the door. Follow the hinge manufacturers instructions. Install the hinge across the top of the door. Screw the hinge to the top of the door and the bottom of the top board on the cabinet. Install weather-stripping around the perimeter of the door so that the door is completely sealed.



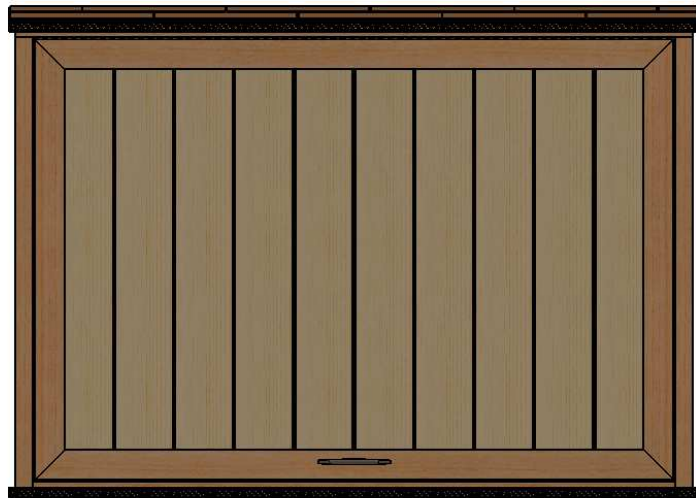
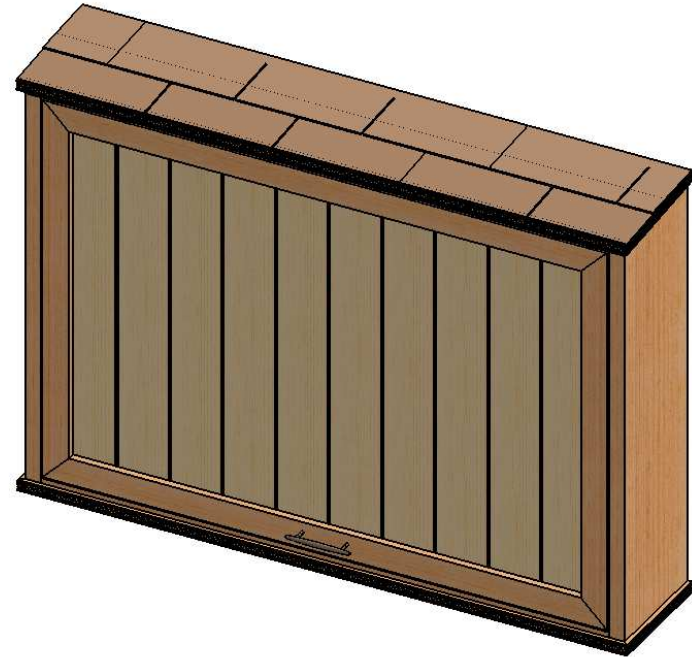
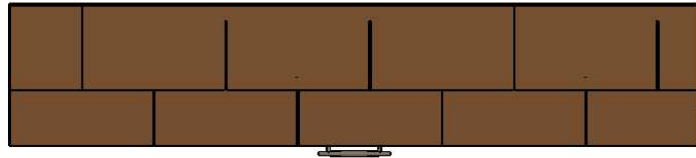
Weather-stripping

Step 5 - Final Assembly

Install the lid stays and mounting hardware as instructed in the manufacturer's instructions. Be sure that the door opens and closes properly.



Install the asphalt shingles on the top of the cabinet following the manufacturers instructions. Use 1-1/4" Roofing Nails to secure the shingles to the top of the cabinet. The shingles will help the cabinet to shed water. Sand thoroughly and paint or stain as desired. Next install screw eyes at the top of the cabinet and the bottom of the door as shown.



Terms & Conditions



Copyright and Limitations of Use

All plans are copyright protected by DIY Backyard Planning (DIYBP). They are not to be resold, published or copied unless agreed in writing from DIYBP.

Warranty

No warranty or guarantee is offered or entered into by using our plans.

Disclaimers

It is not recommended to use an indoor TV or speakers in the outdoors. DIYBP is not liable for any damages.

Although all the plans were carefully created with extensive amounts of due diligence by a professional designer, DIYBP is not responsible for any errors or discrepancies found in the plans.

Construction of any projects using our plans is at the owner / builders risk.

DIYBP is not responsible for any injury to any person while using our plans or helpful tips for



Plans provided by DIYBP are for building an actual structure. A suitable level site and proper support and ground work is the owners responsibility.

It is the owner's responsibility to apply for all required permits and to build in accordance with all required code standards.

All of the plans provided are architectural only and do not include building & planning approval or any other certification.

You agree to hold DIYBP harmless from all liabilities, claims and expenses that may result from the use of our plans.

The product links provided on the website for tools and accessories are in most cases products that we have had great experiences with and want to pass along our recommendation. DIYBP does get a referral commission upon purchase through affiliate links.