

A large photograph of a backyard patio at dusk. A wooden pergola with string lights covers the area. In the center is a fire pit with a fire. There are several patio chairs and a sofa. In the background, a house with large windows is visible. On the right side, there are some papers or blueprints with diagrams and text, including the heading 'Solid Brackets for Ripe Lighting'.

Build Your Dream *Backyard* One Project at a Time



18' x 22' Gazebo with Gable Roof

ITEM NO.	PART NUMBER	DESCRIPTION	QTY.
1	Gazebo Leg	6 x 6 Lumber x 12ft long	6
2	18ft 2 x 12	2 x 12 Lumber x 18ft long	2
4	261in 2 x 12	2 x 12 Lumber x 261in long	2
5	202in 2 x 12	2 x 12 Lumber x 202in long	2
6	122.25in 2 x 12	2 x 12 Lumber x 122-1/4in long	4
7	Brace 004	2 x 6 Lumber x 48" Long	12
8	Rafter	2 x 6 Lumber x 132-11/16" Long	24
9	Rafter Brace	2 x 6 Lumber x 12" Long	12
10	Star Part 01	2 x 4 Lumber x 48-3/16" Long	2
11	Star Part 02	2 x 4 Lumber x 42-7/8" Long	4
12	Star Part 03	2 x 4 Lumber x 48-1/4" Long	4
13	Star Part 04	2 x 4 Lumber x 55-1/4" Long	4
14	24ft 2 x 6	2 x 6 Lumber x 24ft long	48
15	24ft 2 x 6	2 x 6 Lumber x 24ft long	2
16	Front Roof Trim	2 x 6 Lumber x 132-11/16" Long	4
17	Eave Trim	1 x 4 Lumber x 144" Long	4
18	Rake Trim	1 x 4 Lumber x 135-5/8" Long	4
19	4ft 2 x 2	2 x 2 Lumber x 48" Long	2
20	RHSNBOLT 0.375-16x8x8-N	3/8 x 8" Carriage Bolt	20
21	Regular FW 0.375	3/8" Flat Washer	20
22	HNUT 0.375-16-D-N	3/8" Hex Nut	20

Raw Materials Needed

DESCRIPTION	QTY.
6 x 6 x 12ft Long	6 pcs
2 x 12 x 18ft Long	4 pcs
2 x 12 x 22ft Long	4 pcs
2 x 6 x 12ft Long	33 pcs
2 x 6 x 24ft Long	50 pcs
2 x 4 x 8ft Long	4 pcs
2 x 4 x 10ft Long	3 pcs
2 x 2 x 8ft Long	1pc
1 x 4 x 12ft Long	8 pcs
#9 x 2-1/2" Exterior Screws	30 lbs
Aluminum Drip Edge	100 ft
Roofing Underlayment	1 Roll
Staples	1 Box
Shingles	576 Sq. Ft.
Ridge Cap	24 ft
Roofing Nails	20 lbs
3/8 x 8" Carriage Bolts	20 pcs
3/8" Flat Washers	20 pcs
3/8" Hex Nuts	20 pcs

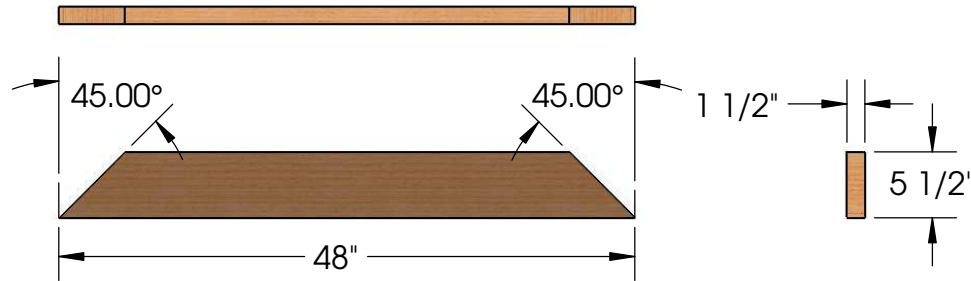
Step 1 - Cut Gazebo Parts

- Cut two of the 22ft 2 x 12's down to 261" Long (Item #4)
- Cut four of the 18ft 2 x 12's down to 202" Long (Item #5)
- Cut two pcs 122-1/4" Long (Item #6) out of the remaining two 22ft 2 x 12's
- Cut the 8ft 2 x 2 in half to make two pcs 48" long (Item #19)
- See pages 2-4 for instructions on cutting the remaining parts



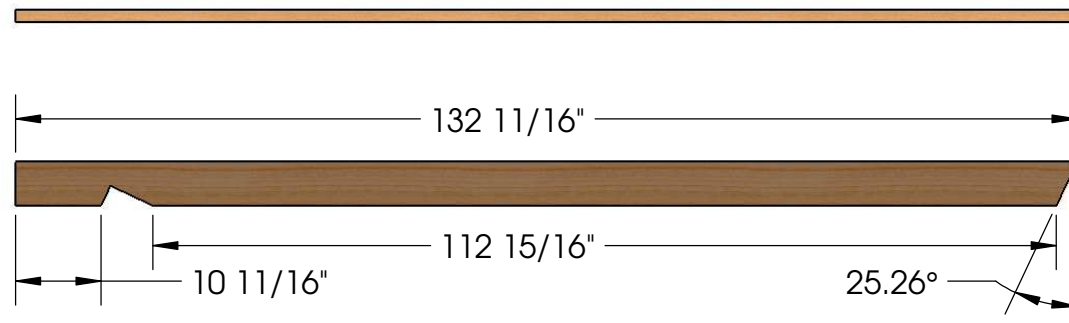
Item No. Material: 2 x 6 x 48" Long
 7 Qty. : 12

Using four of the 12ft 2 x 6's cut 12 pcs 48" long with a 45° Angle on each end as shown



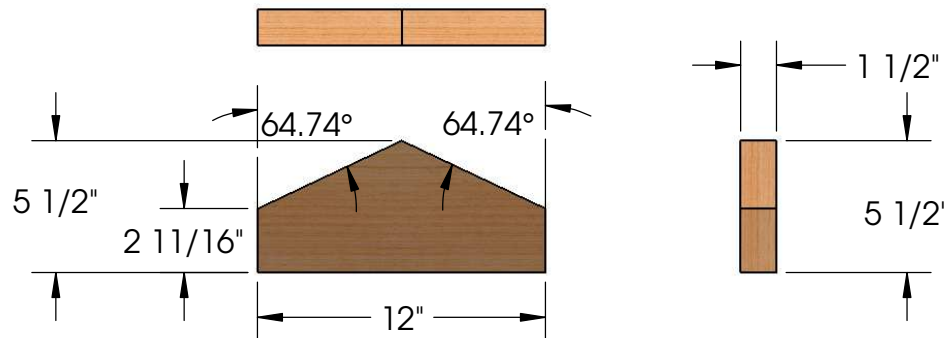
Item No. Material: 2 x 6 x 132-11/16" Long
 8 Qty. : 24

Using twentyfour of the 12ft 2 x 6's cut one rafter out of each one as shown below. One end is square and the other has a 25.26° Angle. Cut a bird's mouth in the bottom end as shown. See Detail 001 at the end of these instructions for a template for cutting the birds mouth. See Detail 002 at the end of these instructions for a template for the angle.

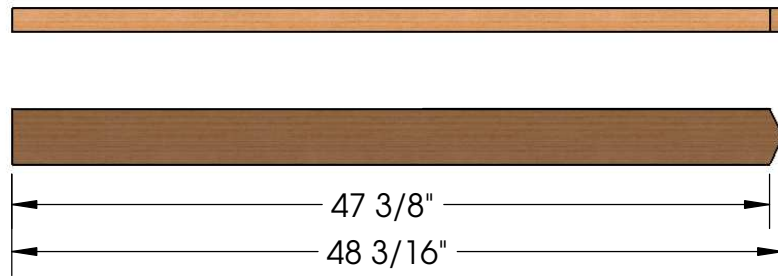


Item No. Material: 2 x 6 x 12" Long
 9 Qty. : 12

Using 1 of the 12ft 2 x 6' cut gussets to attach the rafters as shown below. See Detail 003 at the end of these instructions for a template for cutting the gussets.

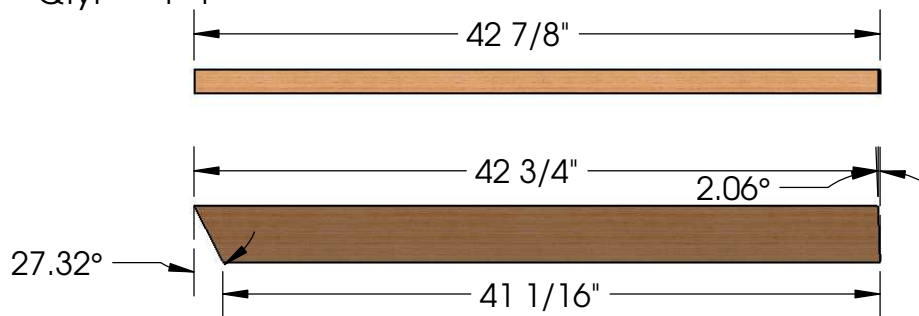


Item No. 10 Material: 2 x 4 x 48-3/16" Long
Qty. : 2



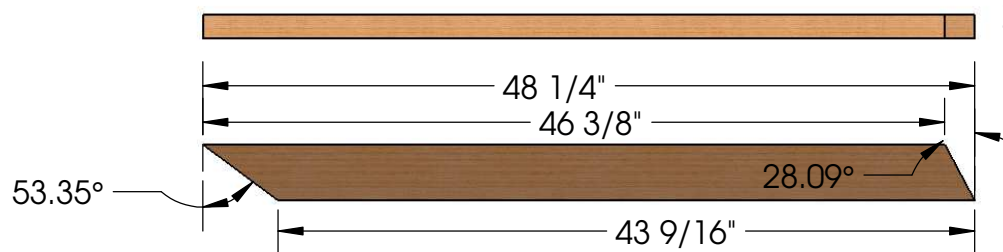
Using one of the 10ft 2 x 4's cut two pcs 48-3/16" long with an angle on one end as shown. See Detail 004 at the end of these instructions for a template for the angle.

Item No. 11 Material: 2 x 4 x 42-7/8" Long
Qty. : 4



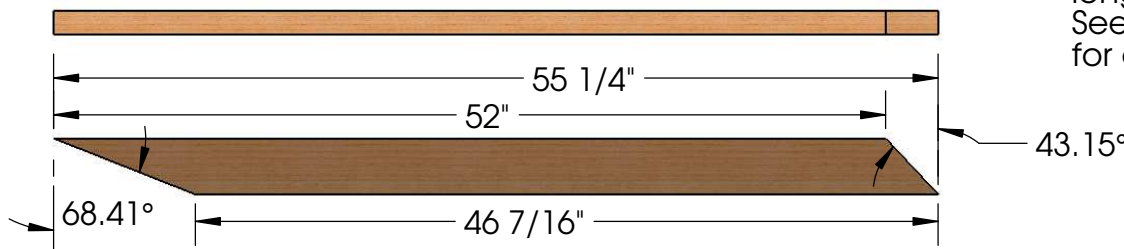
Using two of the 8ft 2 x 4's cut four pcs 42-7/8" long with an angle on both ends as shown. See Detail 005 at the end of these instructions for a template for the angle.

Item No. 12 Material: 2 x 4 x 48-1/4" Long
Qty. : 4



Using two of the 8ft 2 x 4's cut four pcs 48-1/4" long with an angle on both ends as shown. See Detail 006 at the end of these instructions for a template for the angle.

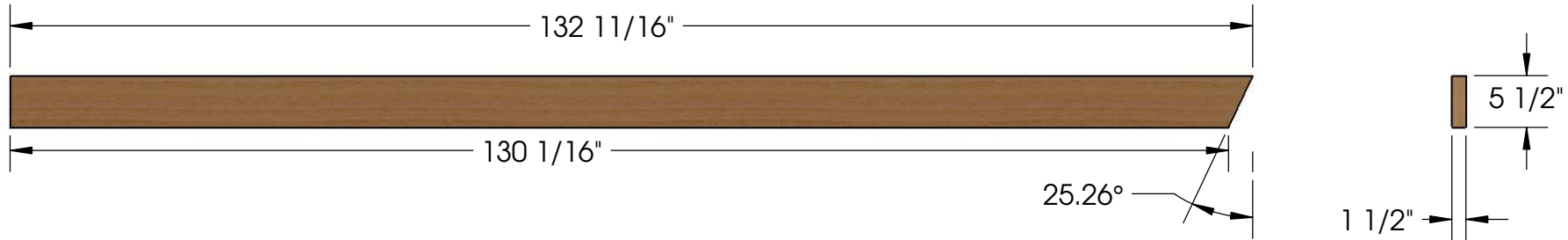
Item No. 13 Material: 2 x 4 x 55-1/4" Long
Qty. : 4



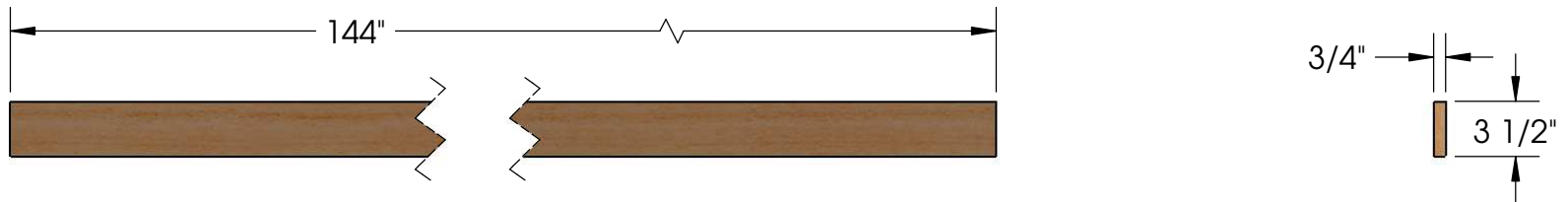
Using two of the 10ft 2 x 4's cut four pcs 55-1/4" long with an angle on both ends as shown. See Detail 007 at the end of these instructions for a template for the angle.

Item No. Material: 2 x 6 x 132-11/16" Long
16 Qty. : 4

Using four of the 12ft 2 x 6's cut 4pcs 132-11/16" long with a 25.26° Angle on one end as shown. See Detail 008 at the end of these instructions for a template for cutting the angle.

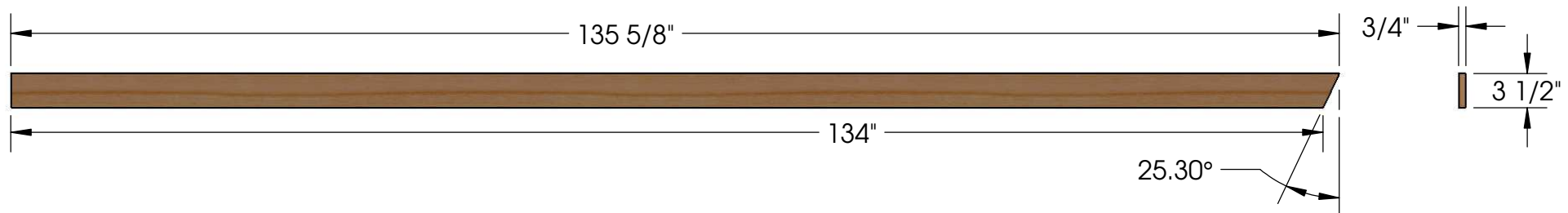


Item No. Material: 1 x 4 x 144" Long
17 Qty. : 4



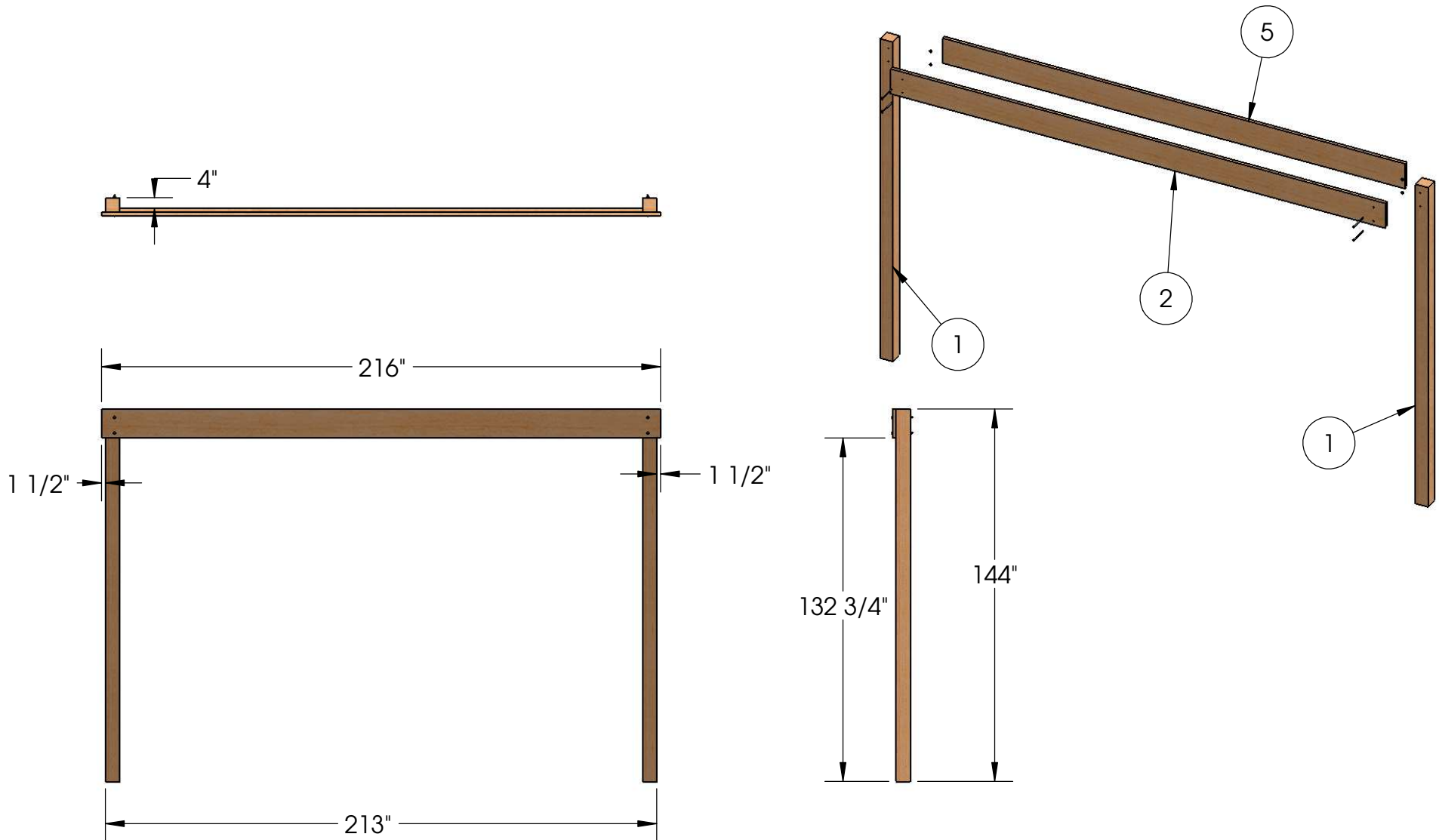
Item No. Material: 1 x 4 x 135-5/8" Long
18 Qty. : 4

Using the four 12ft 1 x 4's cut 4pcs 135-5/8" long with a 25.3° angle on one end as shown. See Detail 009 at the end of these instructions for a template for cutting the angle.



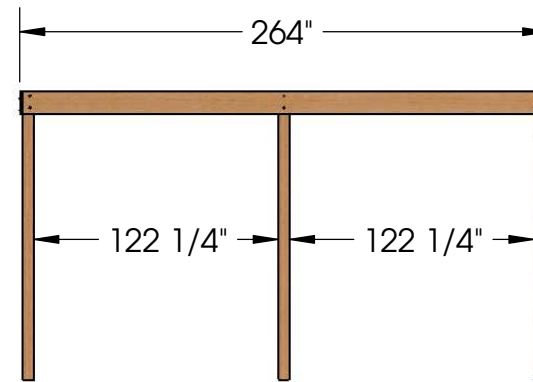
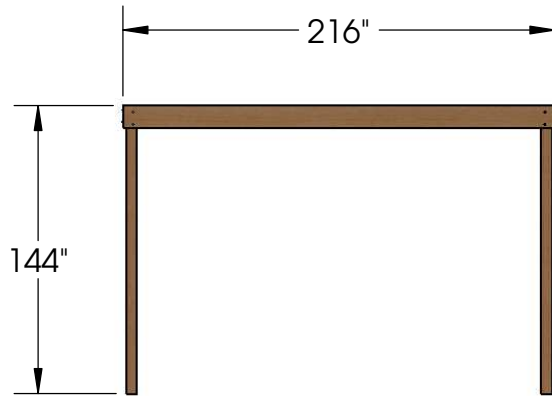
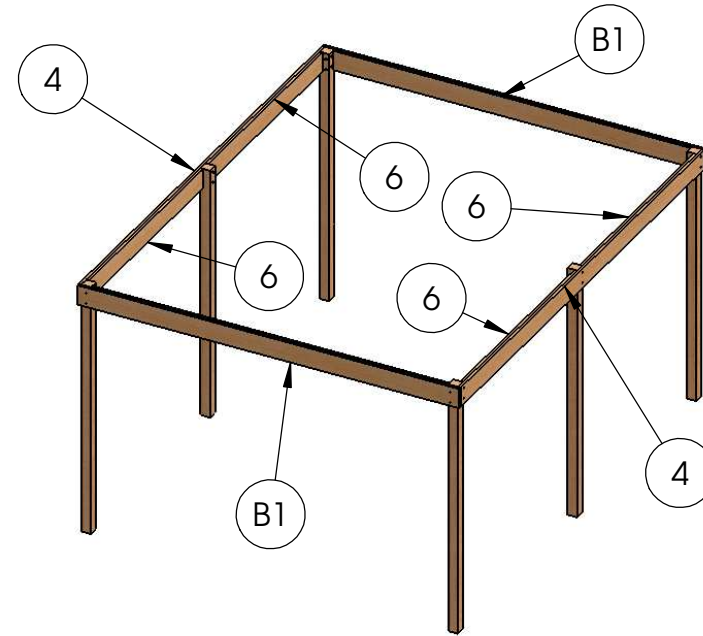
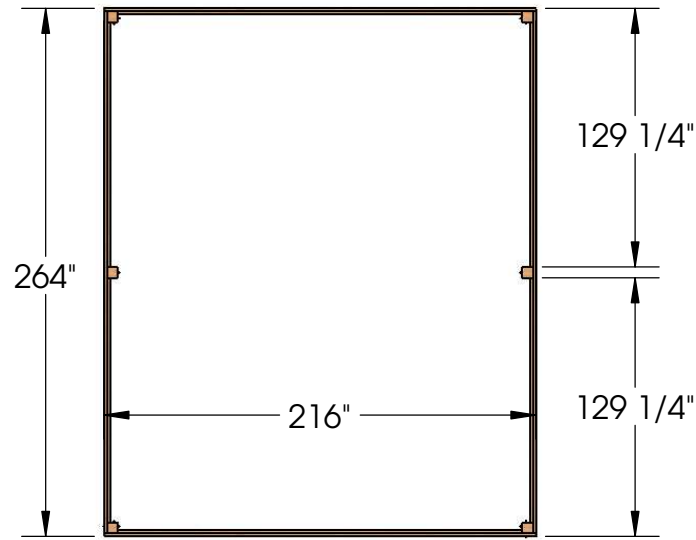
Item No. Material: Gazebo Leg Sub Assembly
B1 Qty. : 2

Lay out 2 of the 12ft 6 x 6's (Item # 1) and one each of the 18ft 2 x 12's (Item #2) and 202" 2 x 12's (Item #5) as shown below. Assemble by clamping Item #2 to both of the legs and drilling two 3/8" holes through each leg and bolting together using carriage bolts with nuts and washers. Attach the last 2 x 12 (Item #5) to the inside using wood screws. Be sure that the legs are square. Make 2 of these.

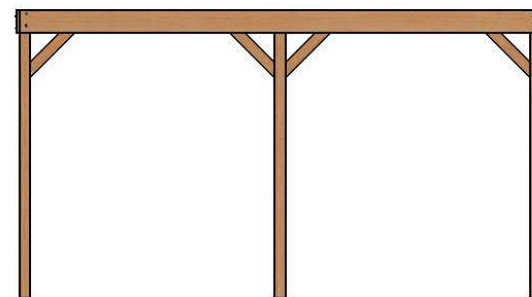
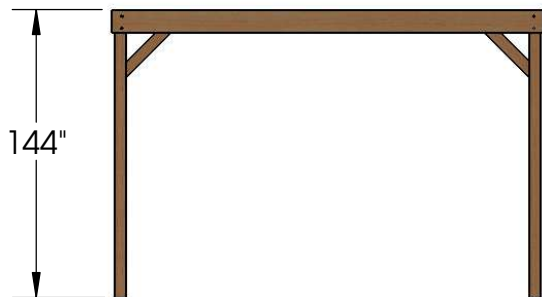
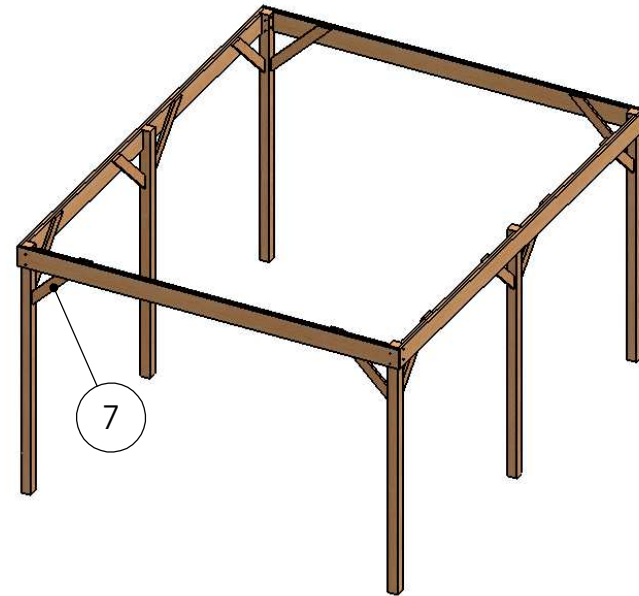
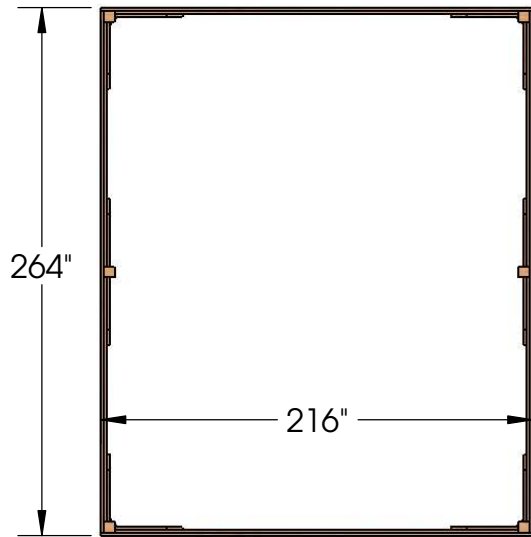


Item No. Material: Gazebo Base Assembly
B2 Qty. : 1

Have a helper help you stand up the 2 Leg Assemblies (Item #B1) and attach the two 261in 2 x 12's (Item #4) and 122-1/4" 2 x 12's (Item #6) as shown below. Assemble by clamping Item #2 to both of the legs and drilling two 3/8" holes through each leg and bolting together using carriage bolts with nuts and washers. Attach the last 2 x 12 (Item #6) to the inside using wood screws. Be sure that everything is square.



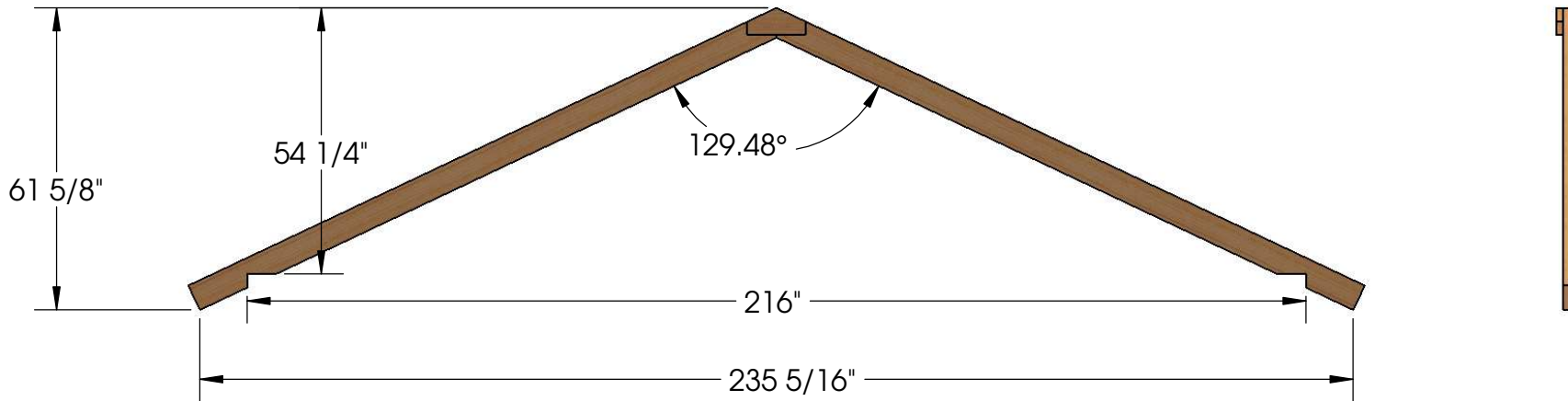
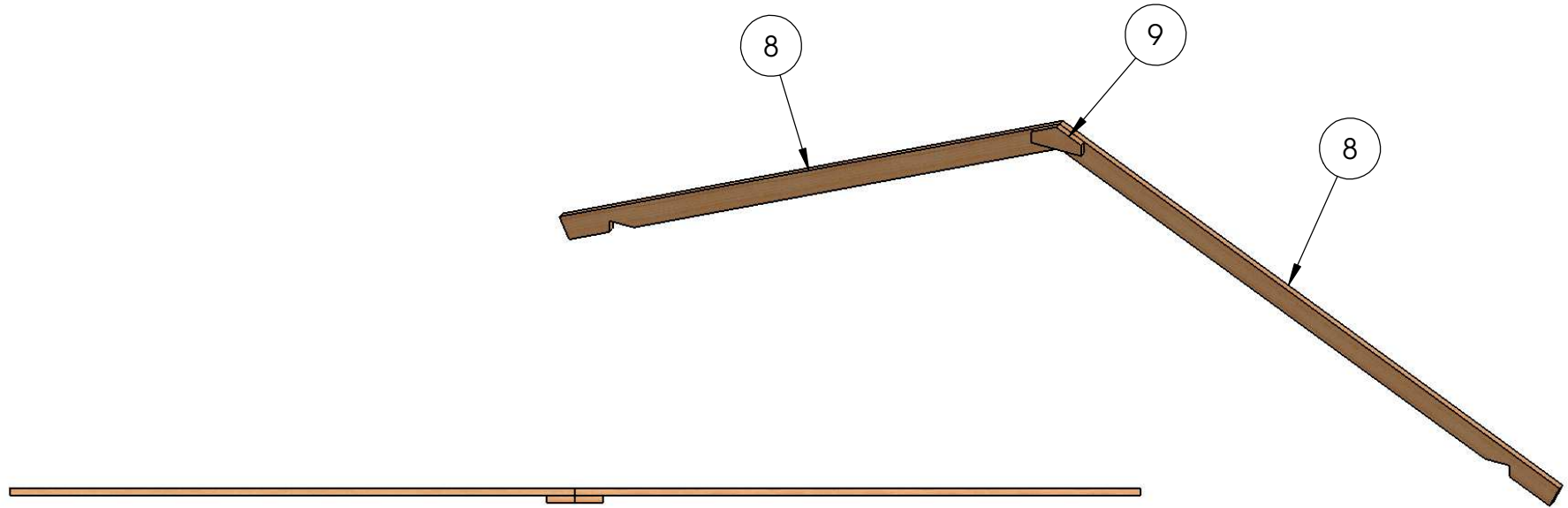
Install the twelve diagonal braces (Item # 7) as shown below using wood screws. Screw the top into the 2 x 12's from the inside and the bottom into the legs driving the screws in at an angle.



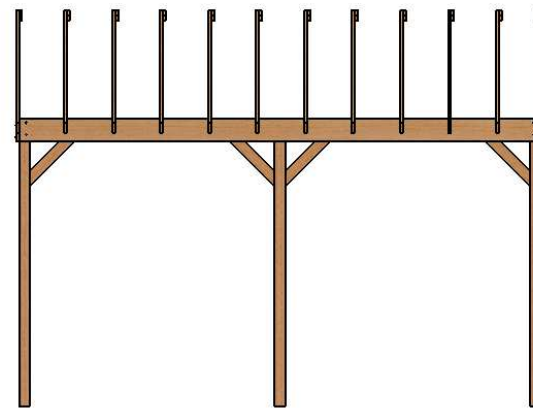
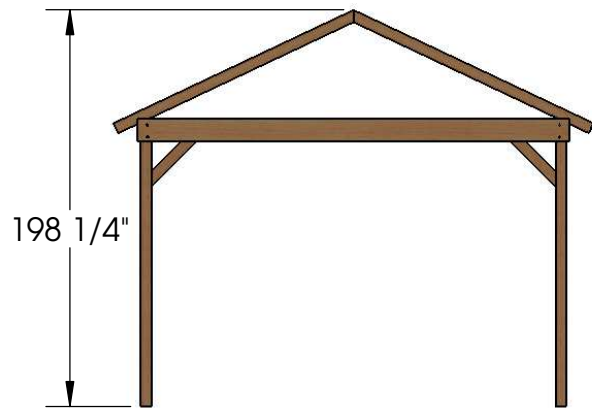
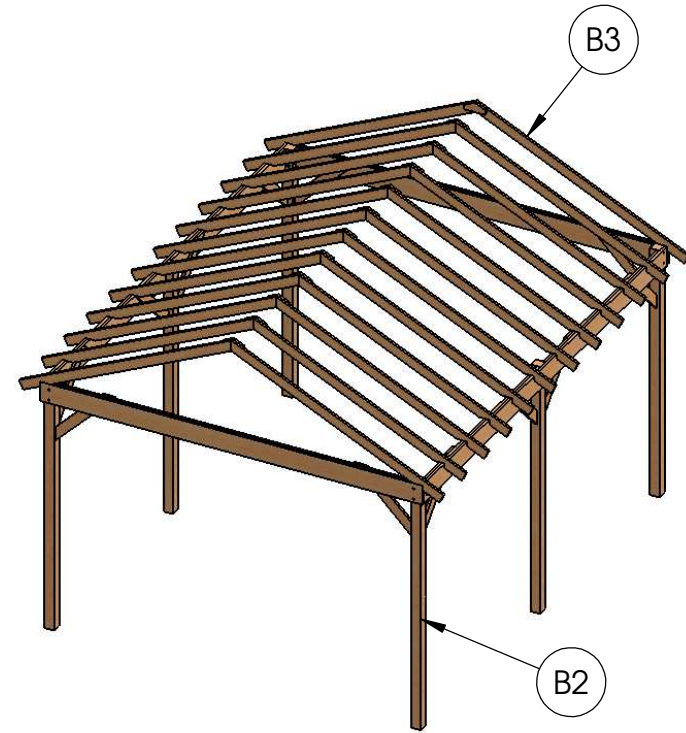
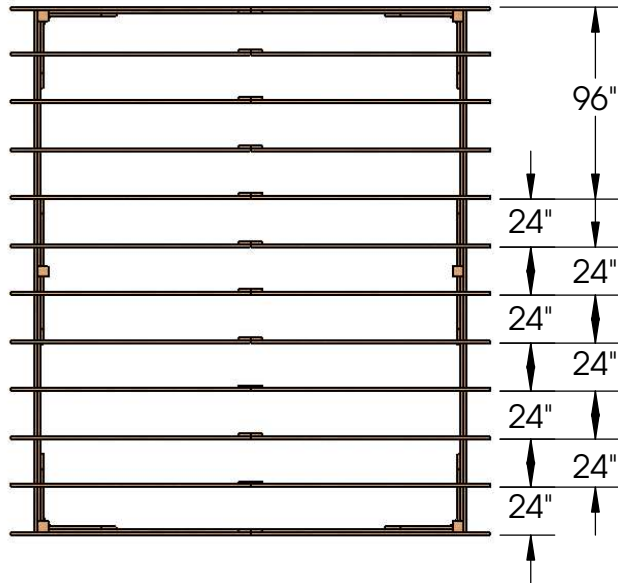
Step 3 - Assemble Gazebo Rafter

Item No. Material: Gazebo Rafter Assembly
B3 Qty. : 12

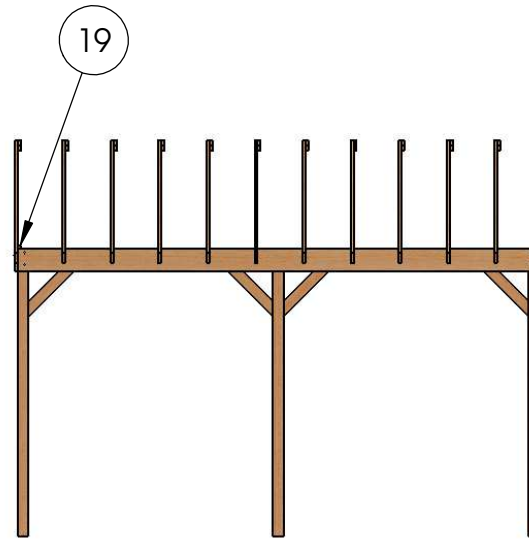
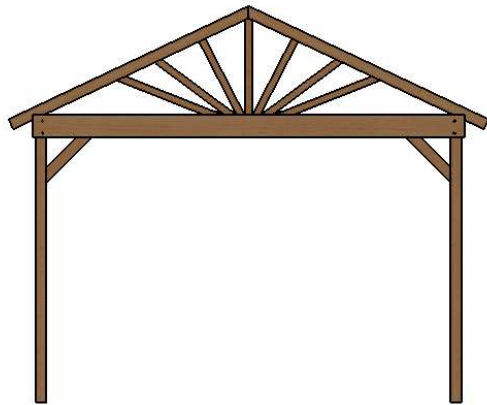
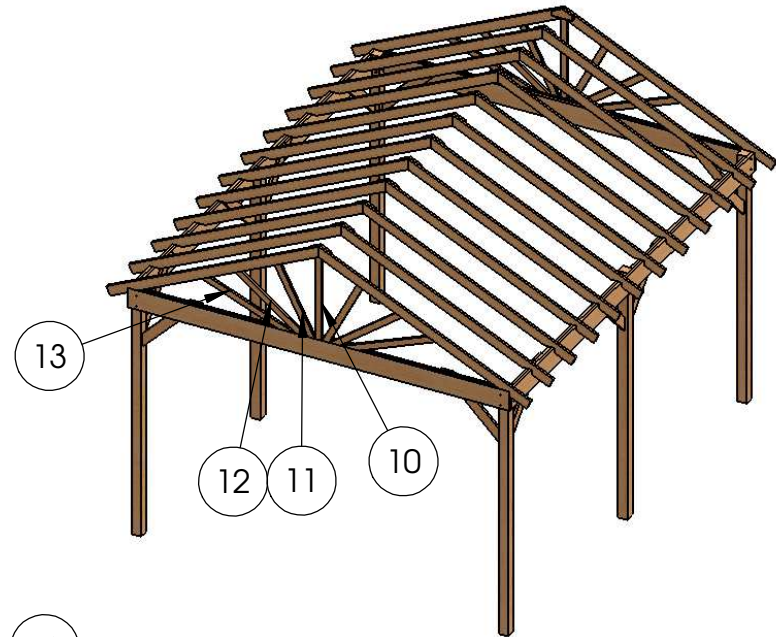
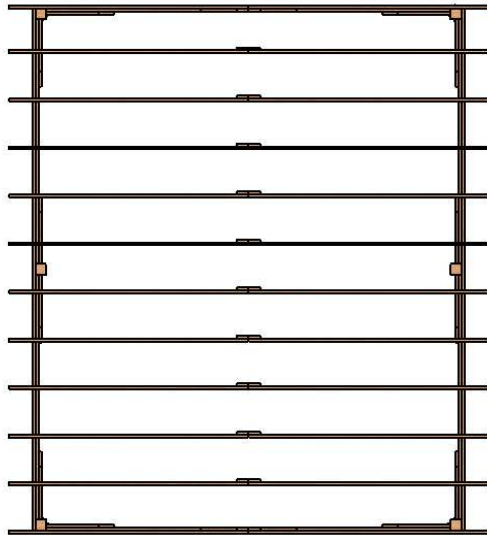
Assemble the gazebo rafters as shown below using Items #8 and 9. Use wood screws to fasten rafters together. Make 12 of these.



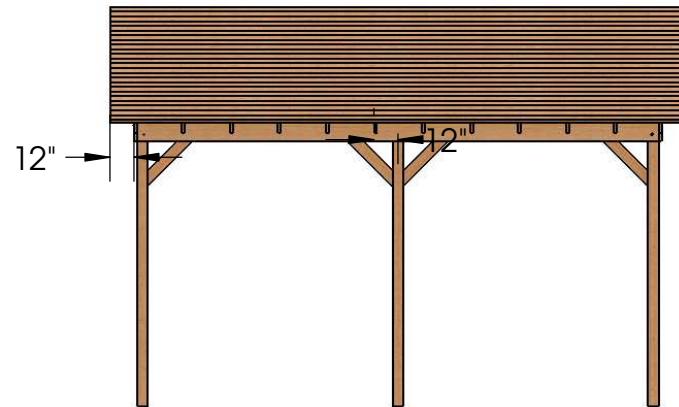
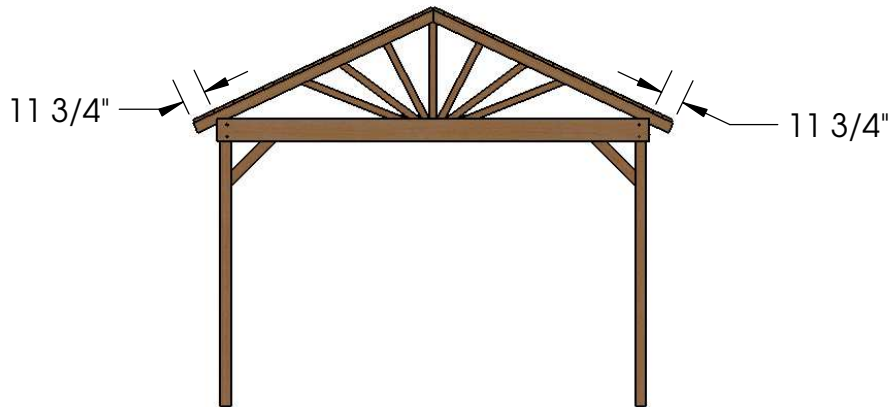
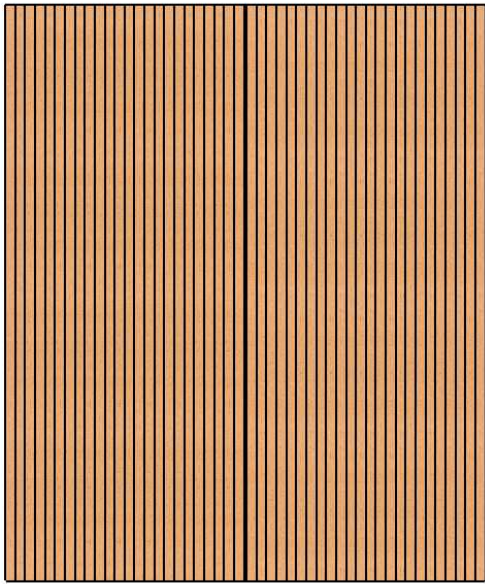
Attach the rafter assemblies (Item # B3) to the gazebo base assembly (Item # B2) as shown. Use wood screws at an angle to attach each rafter to the top 2 x 12's. Space the rafters 24" on center making sure that the top brace faces the inside on each end. Don't worry about keeping them perfectly level as you can do that when you install the roof planks.



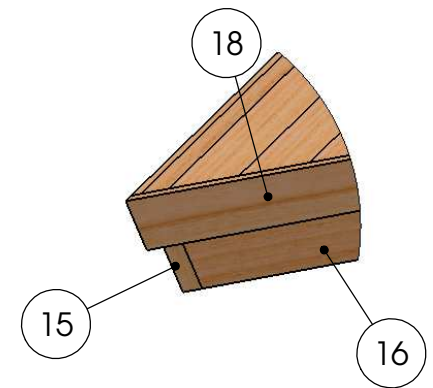
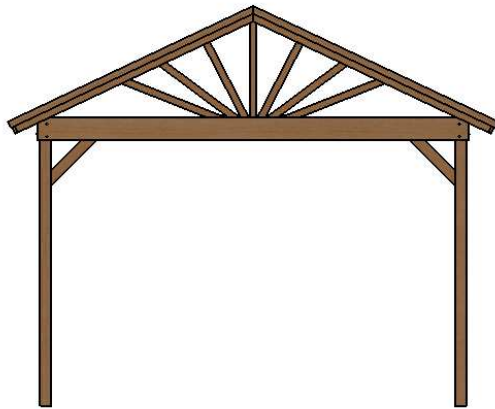
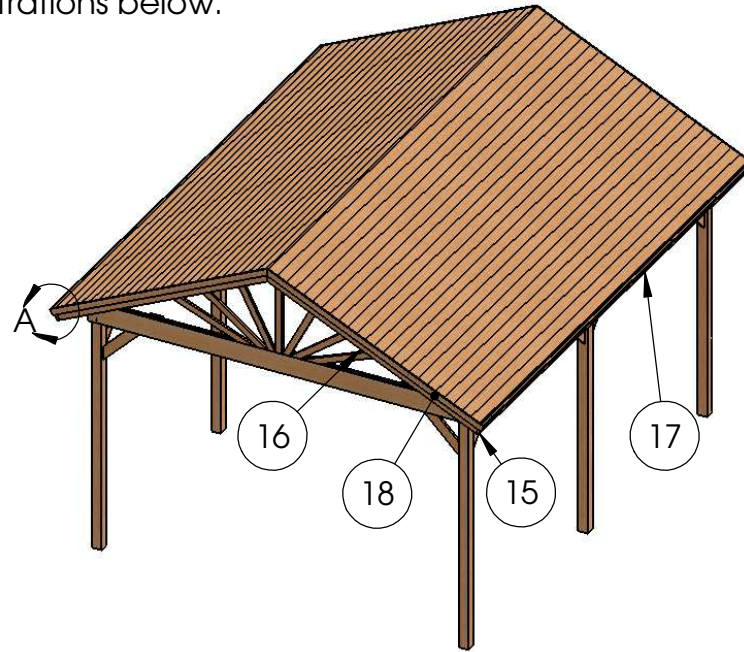
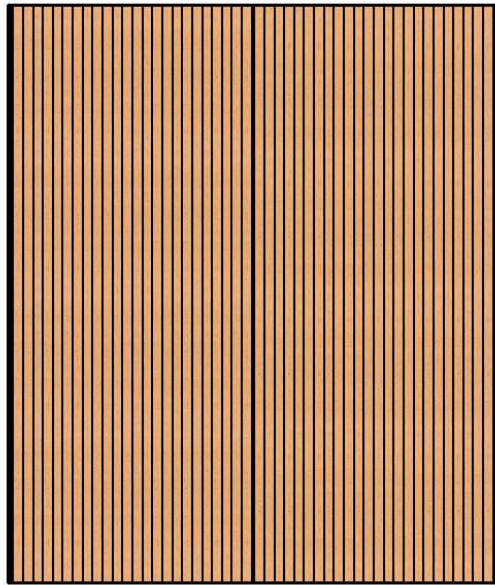
Install the front and rear decorative trim by first screwing the 4ft 2 x 2's (Item # 19) to the top inside 2 x 12 and then installing each trim pc as shown below. Screw each board to the 2 x 2 from the inside and then install one wood screw on each side at an angle to secure them to the rafter.



Install the 24ft 2 x 6 roof planks as shown below using wood screws to each rafter. When installing the first one at the bottom leave it hang 3/4" past the end of the rafter. Be sure the rafters are square as you go. We use 2 x 6's so that the roofing nails do not poke through on the inside. 1 x 6's could also be used if shingles are not installed. Trim the top board to fit after working your way from the bottom up on each side.

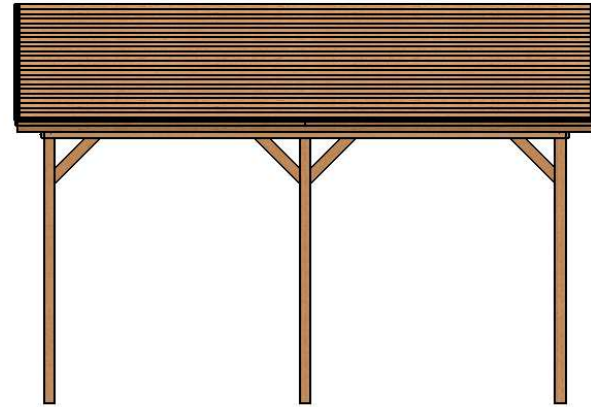
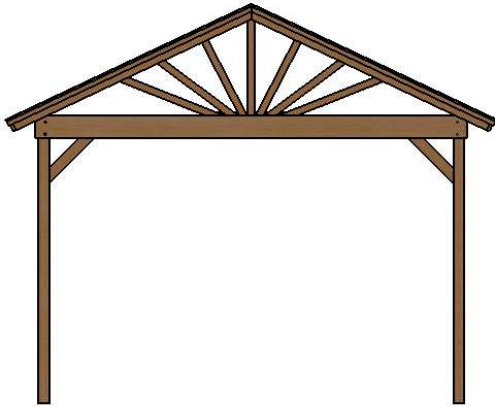
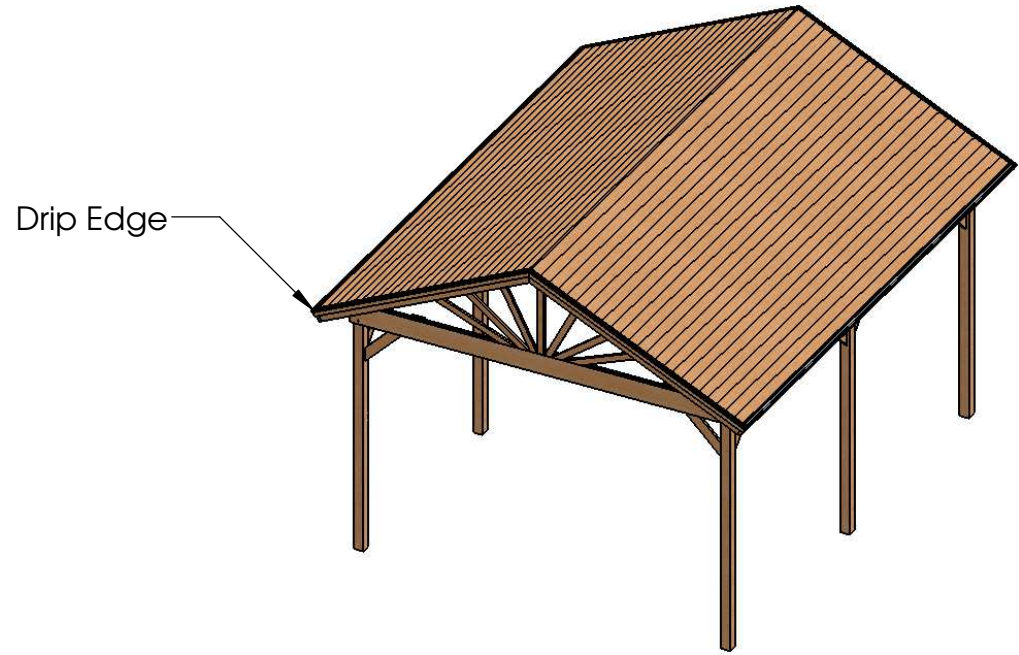
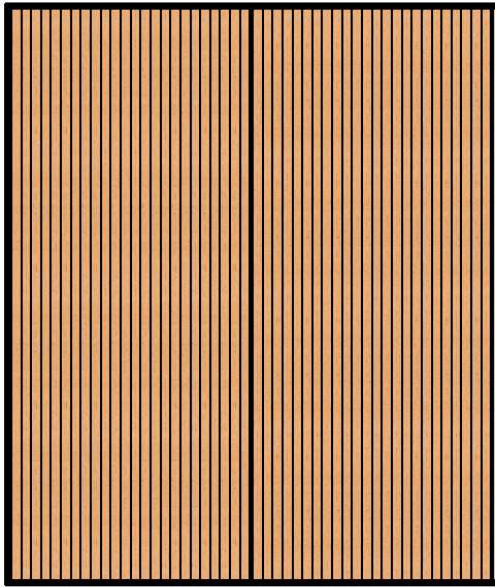


Screw the Front Roof Trim (Item # 16) and 2 of the 24ft 2 x 6's (Item # 15) to the roof planks keeping the boards flush with the end of the roof planks and screwing from the top of the roof into the trim boards. Then attach the front and side trim 1 x 4's (Items # 17 and 18) to the front and sides using wood screws into the trim boards and the roof planks. See illustrations below.

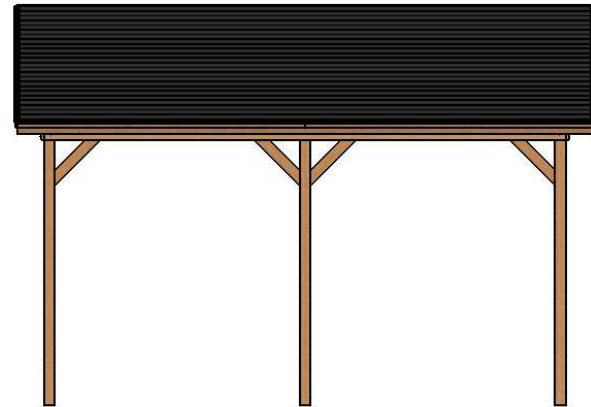
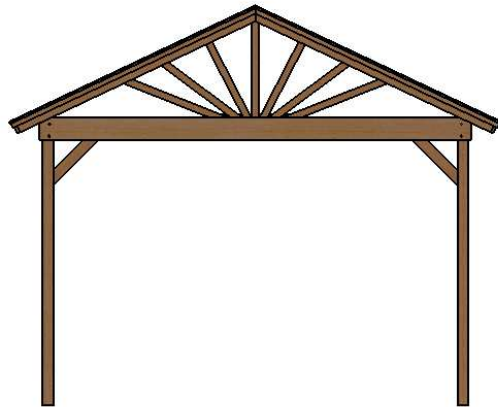
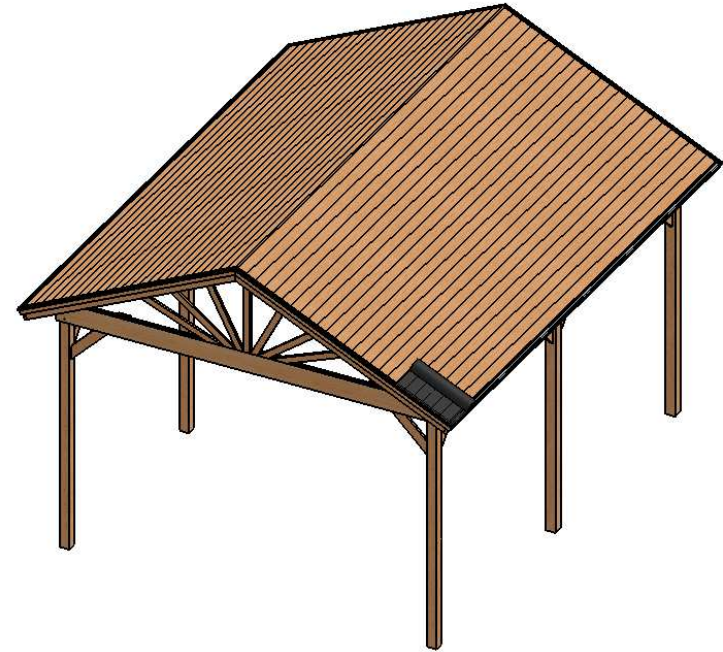
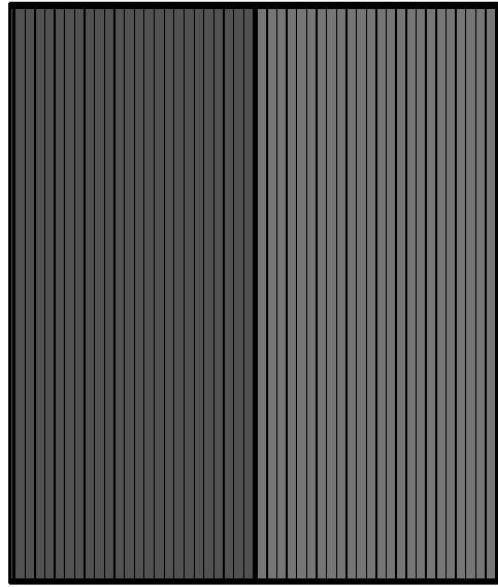


DETAIL A
SCALE 1 : 12

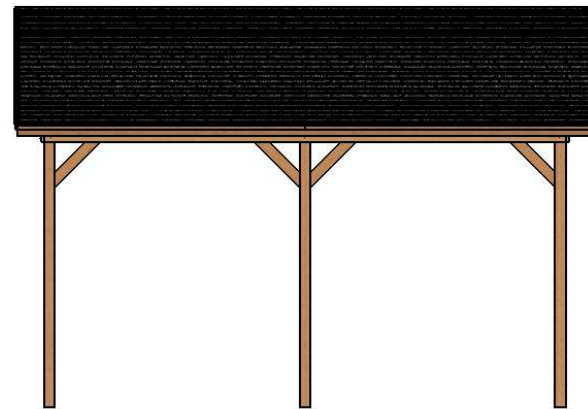
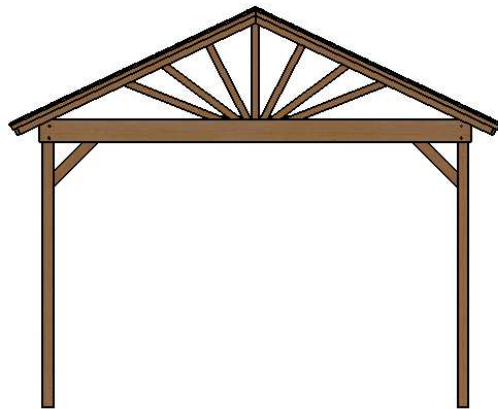
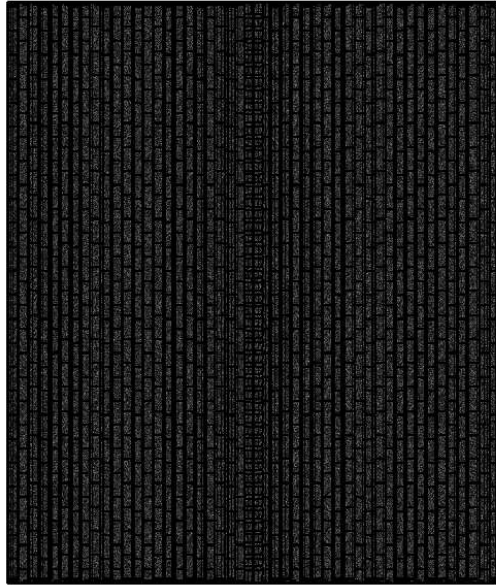
Install Drip Edge around perimeter of roof per manufacturers instructions.



Roll out roofing underlayment starting at the bottom of each side of the roof. Attach to roof with staples.



Install shingles per manufacturers instructions.





Bird's Mouth - Actual Size

Cut out template and use to cut Bird's Mouth

Detail 001



Detail 002

Rafter Top Angle - Actual Size

Cut out template and use to cut Rafter Top Angle



Detail 003

Rafter Brace - Actual Size

Cut out template and use to cut Rafter Brace



Detail 004

Item # 10 Angle Template - Actual Size
Cut out template and use to cut angle



Detail 005

Item # 11 Angle Template - Actual Size
Cut out template and use to cut angle



Detail 006

Item # 12 Angle Template - Actual Size

Cut out template and use to cut angle



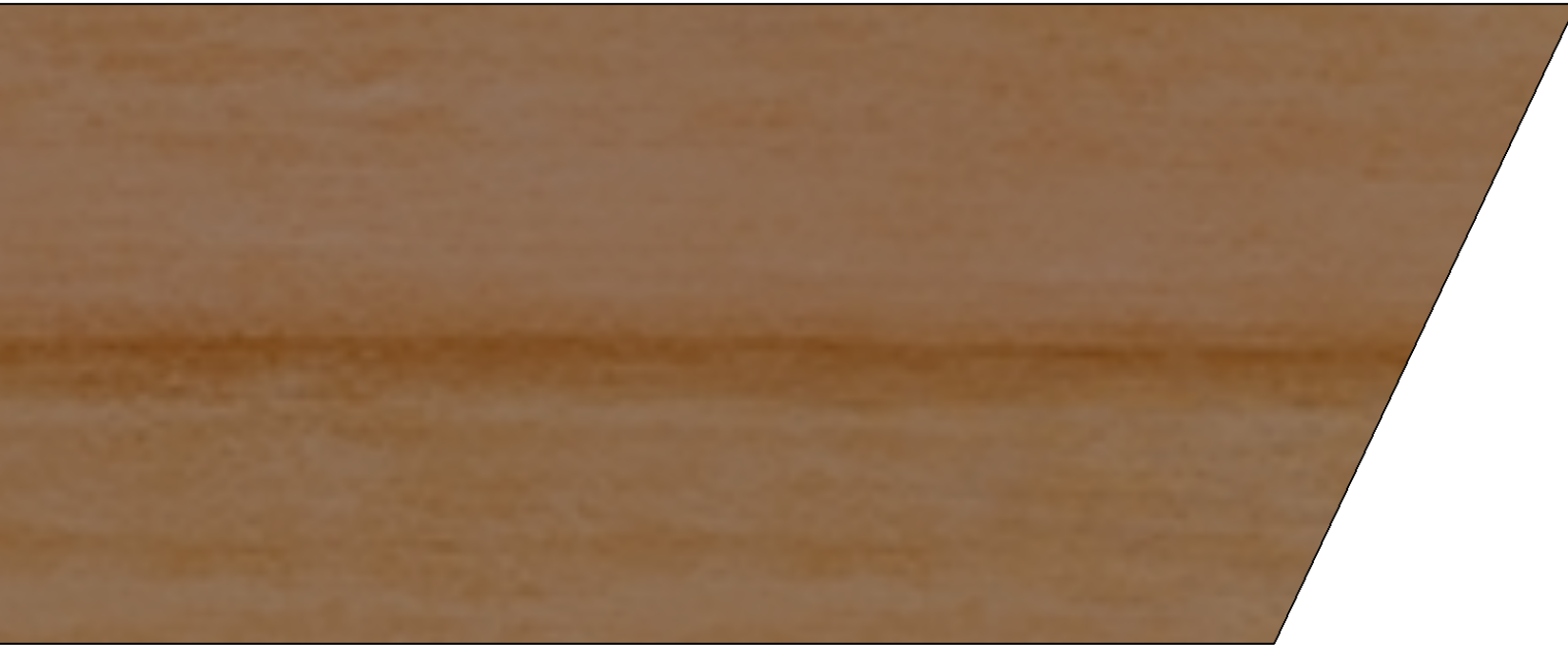
Detail 007

Item # 13 Angle Template - Actual Size
Cut out template and use to cut angle



Detail 008

Item # 16 Angle Template - Actual Size
Cut out template and use to cut angle



Detail 009

Item # 17 Angle Template - Actual Size
Cut out template and use to cut angle